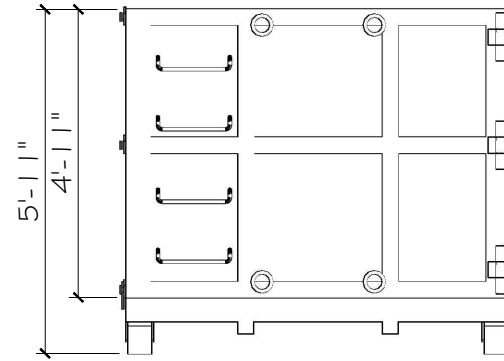
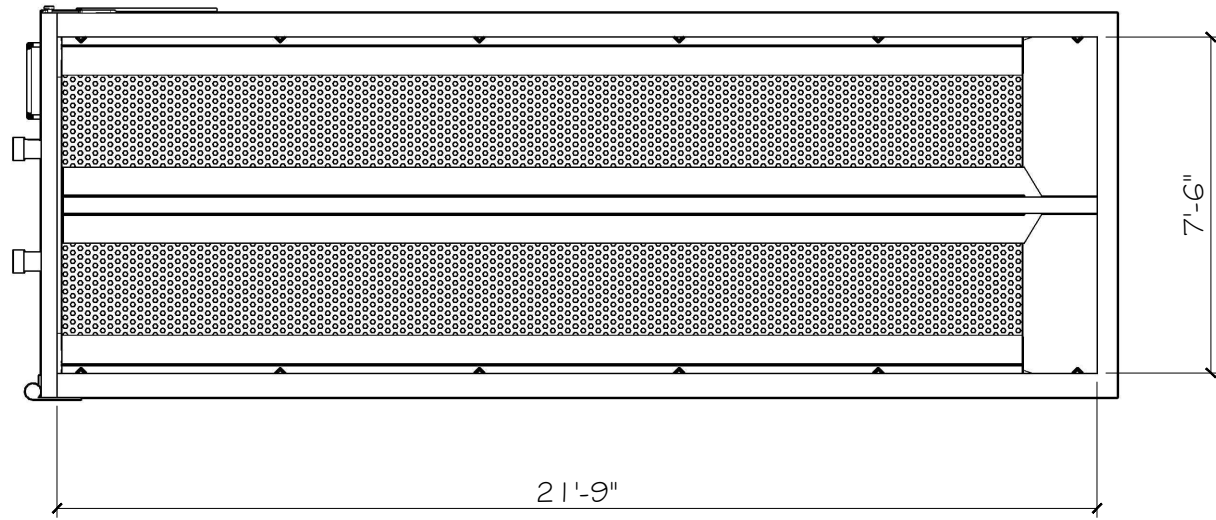


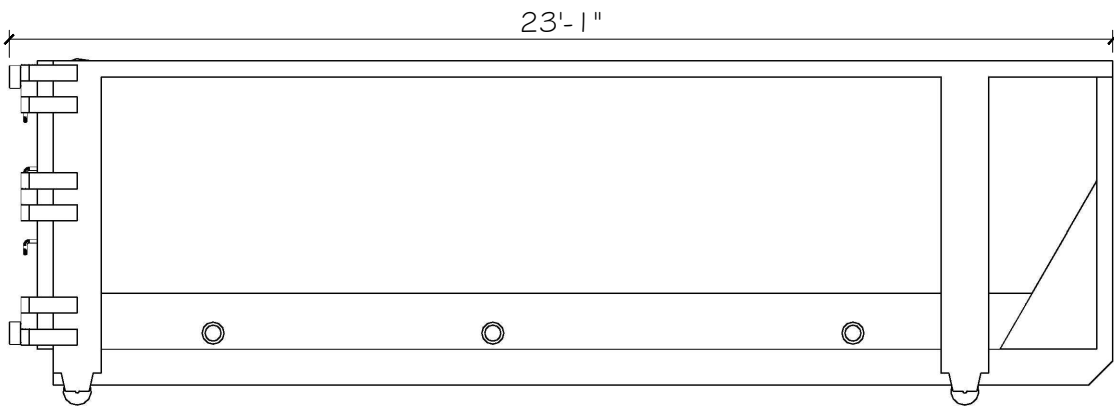
RIGHT SIDE VIEW



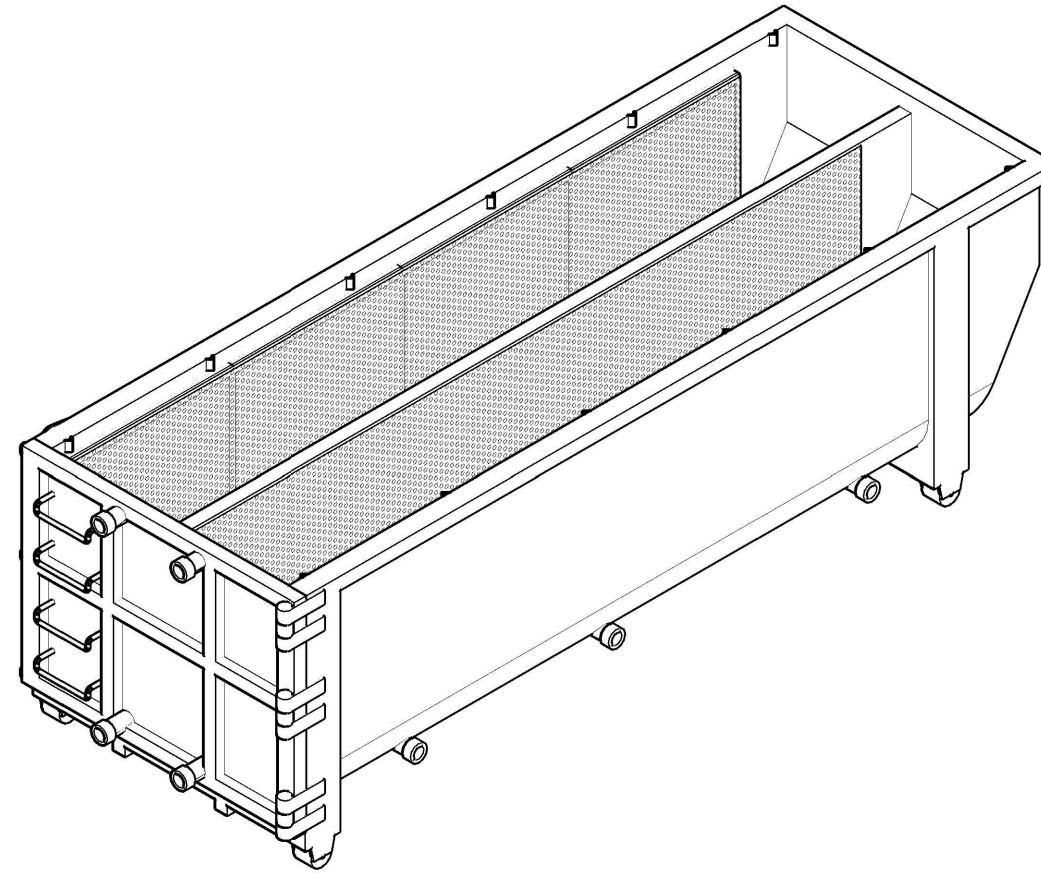
REAR VIEW



TOP VIEW



LEFT SIDE VIEW




ISOMETRIC VIEW

REVISIONS

NO.	DESCRIPTION	DATE

AQUA-ZYME DEWATERING UNIT		JOB No: 23104
VAN VLECK, TEXAS		DRAWN BY: JSS
OVERVIEW		SCALE: 1/4" = 1'-0"
		DATE: 1/18/2018

LYNN & ASSOCIATES, LLC
CONSULTING AND ENGINEERING



1201 6TH STREET
BAY CITY, TEXAS 77414
PH: (979) 245-8900
FAX: (979) 245-5345